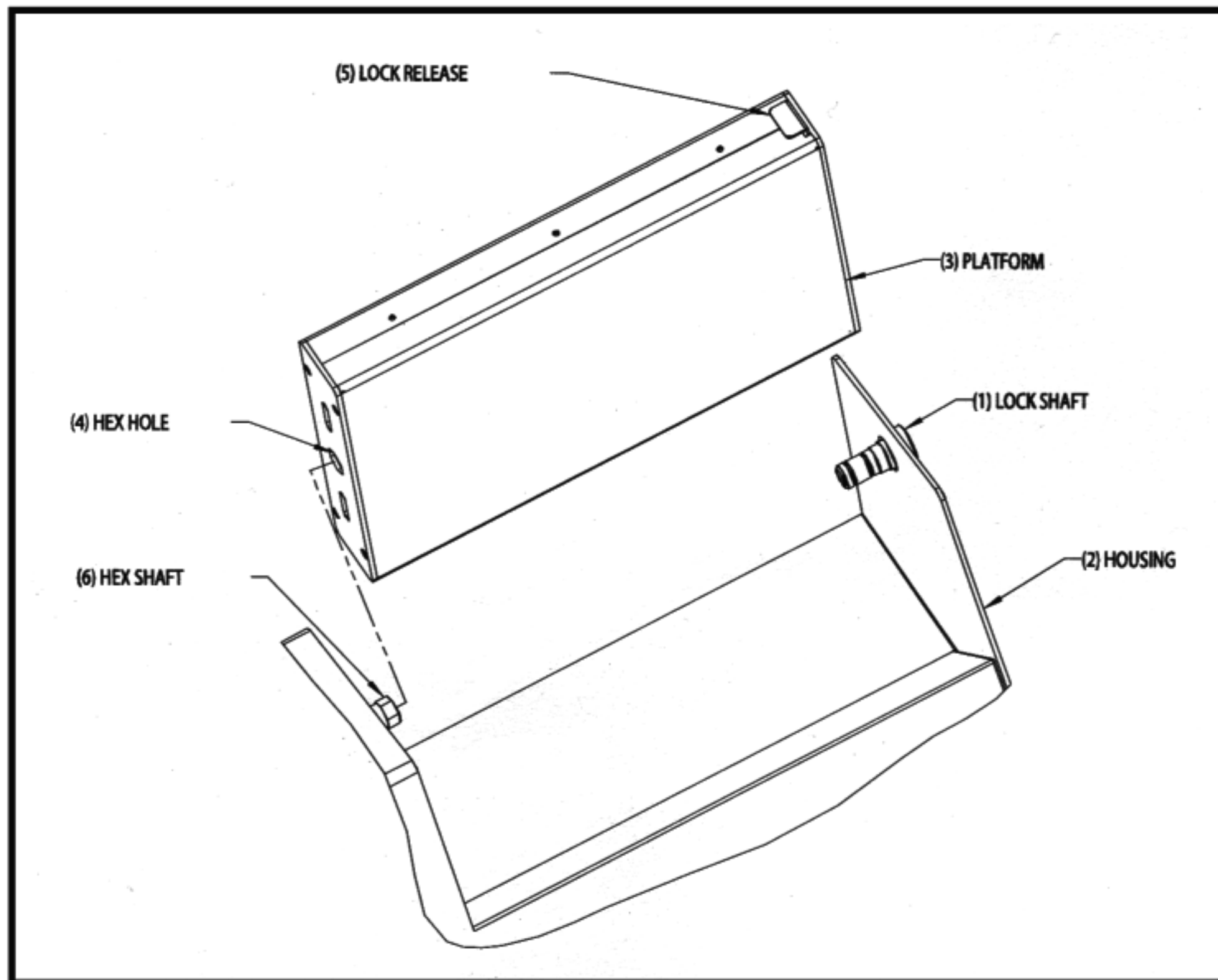


MAGNETIC PLATFORM ASSEMBLY INSTRUCTIONS

Carefully unpack all items. The magnetic platform is shipped separate from the housing and must be assembled (see figure below). To assemble the platform:

1. Unscrew the lock shaft (1) from the right side of the housing (2) and remove it from the hole.
2. Affix the platform (3) into the housing with the hex hole (4) facing left, and the lock release (5) facing right, as shown. Rotate the platform to line up the hex shaft (6) with the hex hole and slide it onto the hex shaft.
3. Depress and hold the lock release. Slide the lock shaft through the hole in the housing into the platform. Carefully screw the lock shaft fully into place - do not force it. Hand tighten only. Release the lock release.



NOTE: Magnetic platform may be used in the following models:

Roto-Shake Genie®	Enviro-Genie®	BioReactor Genie™
SI-1100	SI-1200	SI-1300
SI-1101	SI-1201	SI-1301
SI-1102	SI-1202	SI-1302
SI-1103	SI-1203	SI-1303
SI-1104	SI-1204	SI-1304
SI-1105	SI-1205	SI-1305



70 Orville Drive, Bohemia, NY 11716 U.S.A.
 (631) 567-4700 • Fax (631) 567-5896 • Toll Free: 888-850-6208
 Customer Service: custsvc@scientificindustries.com
www.scientificindustries.com

LTP0004 Rev. B